

SERVICE
2702B, 2702BM, AND 2702BMG TELEPHONE SETS
CONNECTIONS

1. GENERAL

1.01 This section contains information on 2702B (MD), 2702BM, and 2702BMG telephone sets (Fig. 1, 2, 3, 4, and 5).

1.02 The reasons for reissuing this section are listed below. Revision arrows are used to emphasize the more significant changes.

- Revise grounding information (Note 1; Fig. 1, 2, and 3)
- Add D-181059 Kit of Parts (dial illumination, Fig. 4 and 5)
- Add information on D-181063 Kit of Parts (polarity guard, Table A).

1.03 If a polarity guard is required in a 2702B (MD) or 2702BM set, refer to Table A for connections and Section 502-703-100 for installation information.

1.04 Refer to Tables B, C, and D for line and ringer connections.

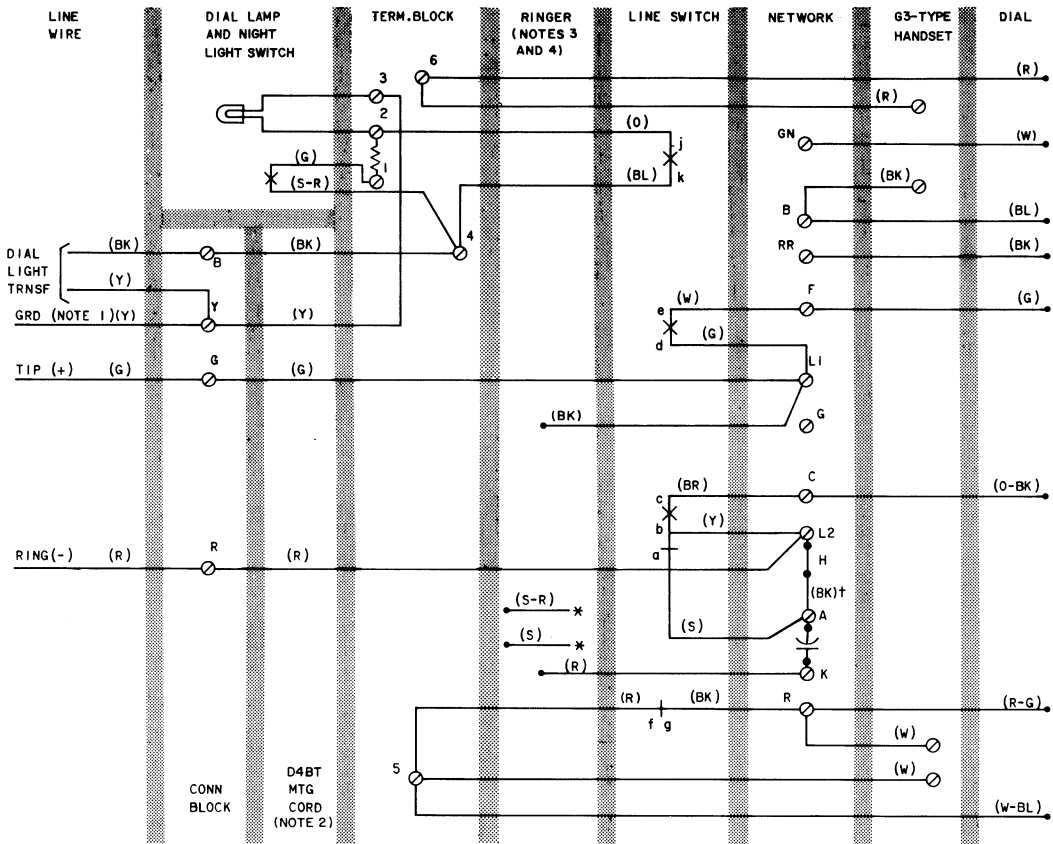
1.05 Figure 6 or 7 indicates the termination of the D4BT mounting cord in sets equipped with 4010- or 4228-type networks, respectively.

1.06 Refer to Section 501-320-100 if conversion to four or eight party ringing is required.

NOTICE

Not for use or disclosure outside the
Bell System except under written agreement

SECTION 502-723-401



NOTES:

1. INSIDE WIRE CONDUCTOR SHALL BE CONNECTED TO THE GROUND TERMINAL AT THE PROTECTOR OR EQUIVALENT ONLY IF REQUIRED FOR SERVICE BEING INSTALLED.
2. CONNECTIONS SHOWN FOR D4BT MTG. CORD. IF D5AK (MD) MTG. CORD IS USED, REFER TO TABLE B.
3. TO SILENCE RINGER PERMANENTLY FOR ALL CLASSES OF SERVICE REFER TO THE APPROPRIATE RINGER SECTION IN DIVISION 501.
4. WIRED FOR BRIDGED SERVICE. FOR OTHER CLASSES OF SERVICE SEE TABLE B OR C.

* INSULATE AND STORED
 † THIS LEAD GOES DIRECTLY TO L2 ON 4228G NET.

Fig. 1—2702B (MD) Telephone Set, Connections

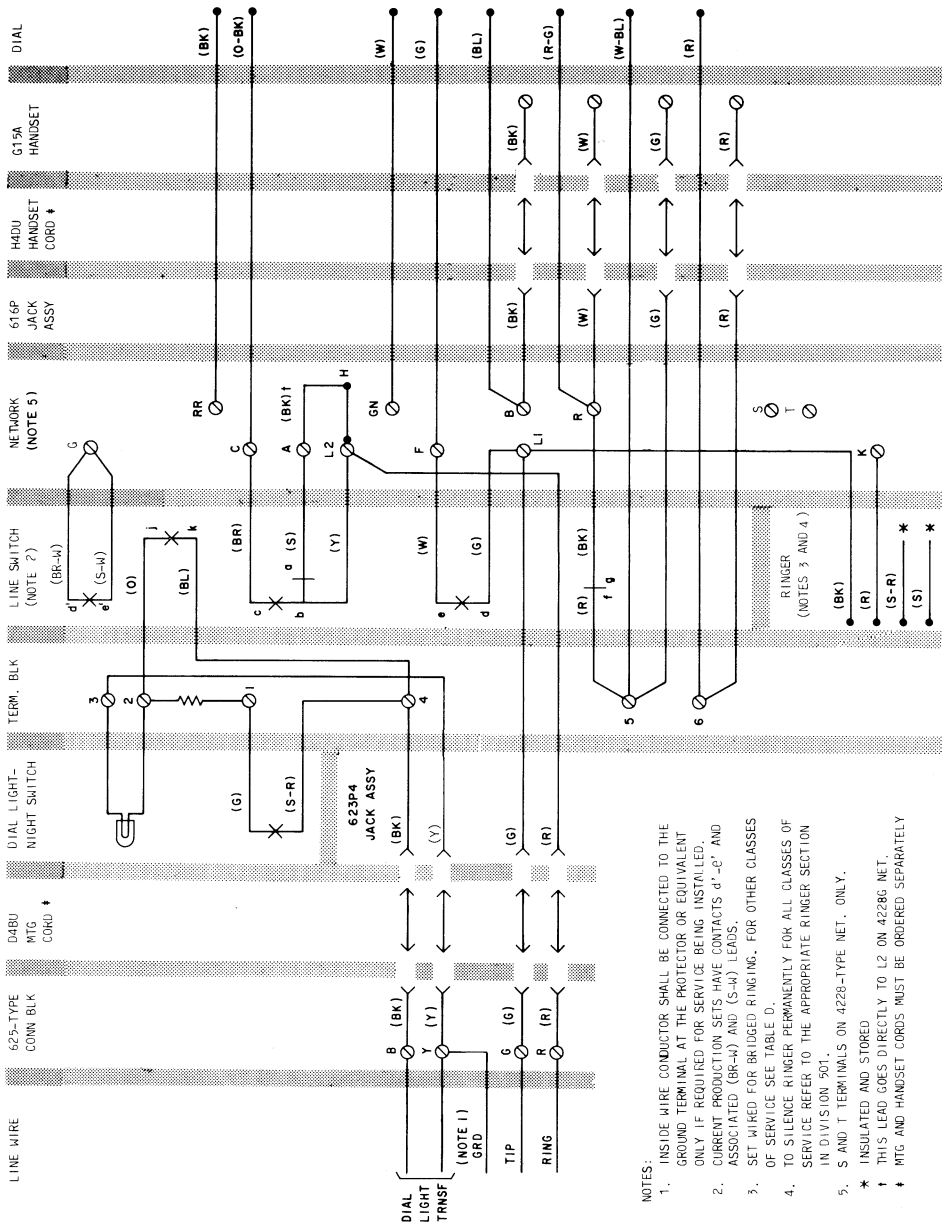
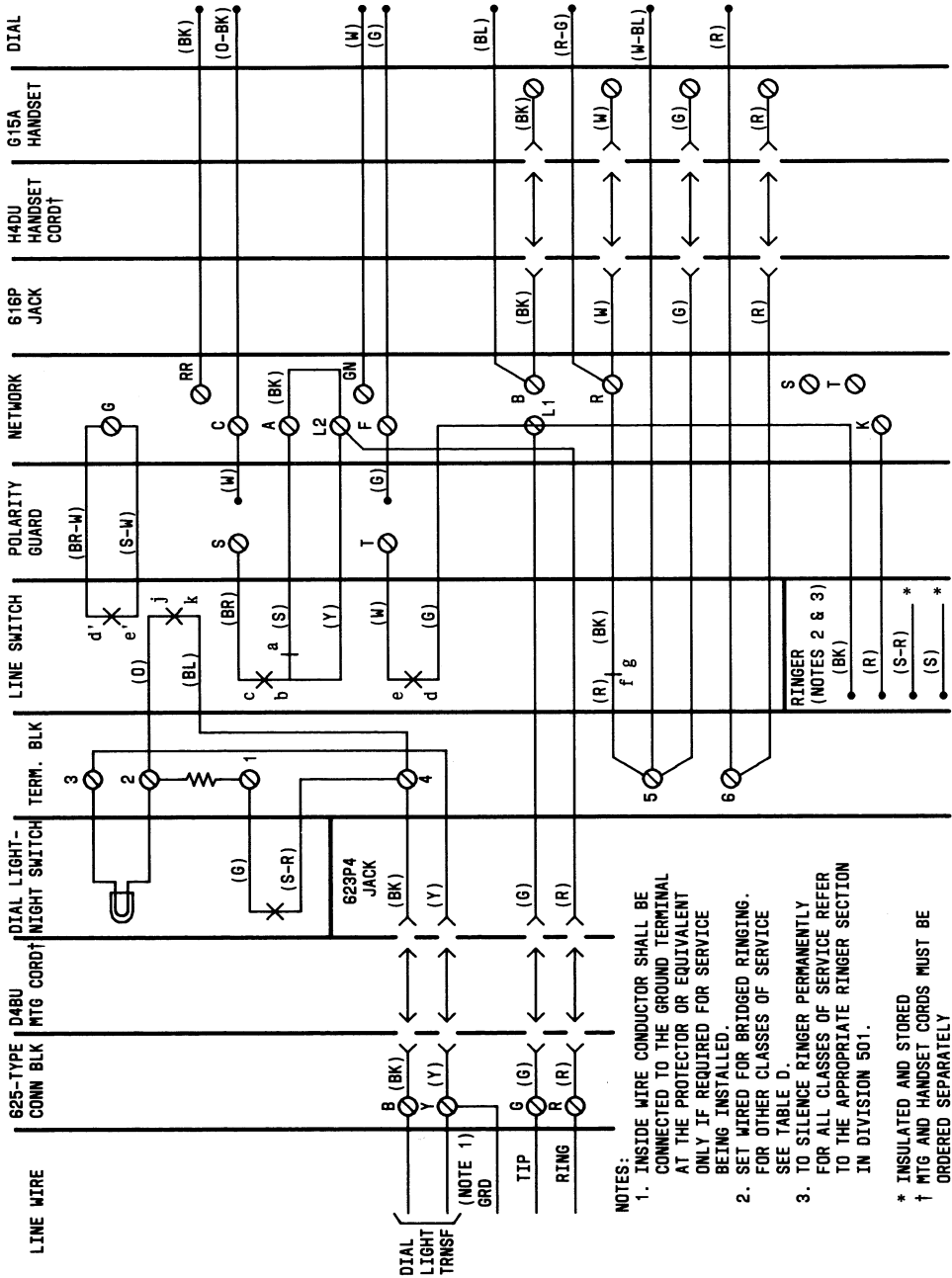


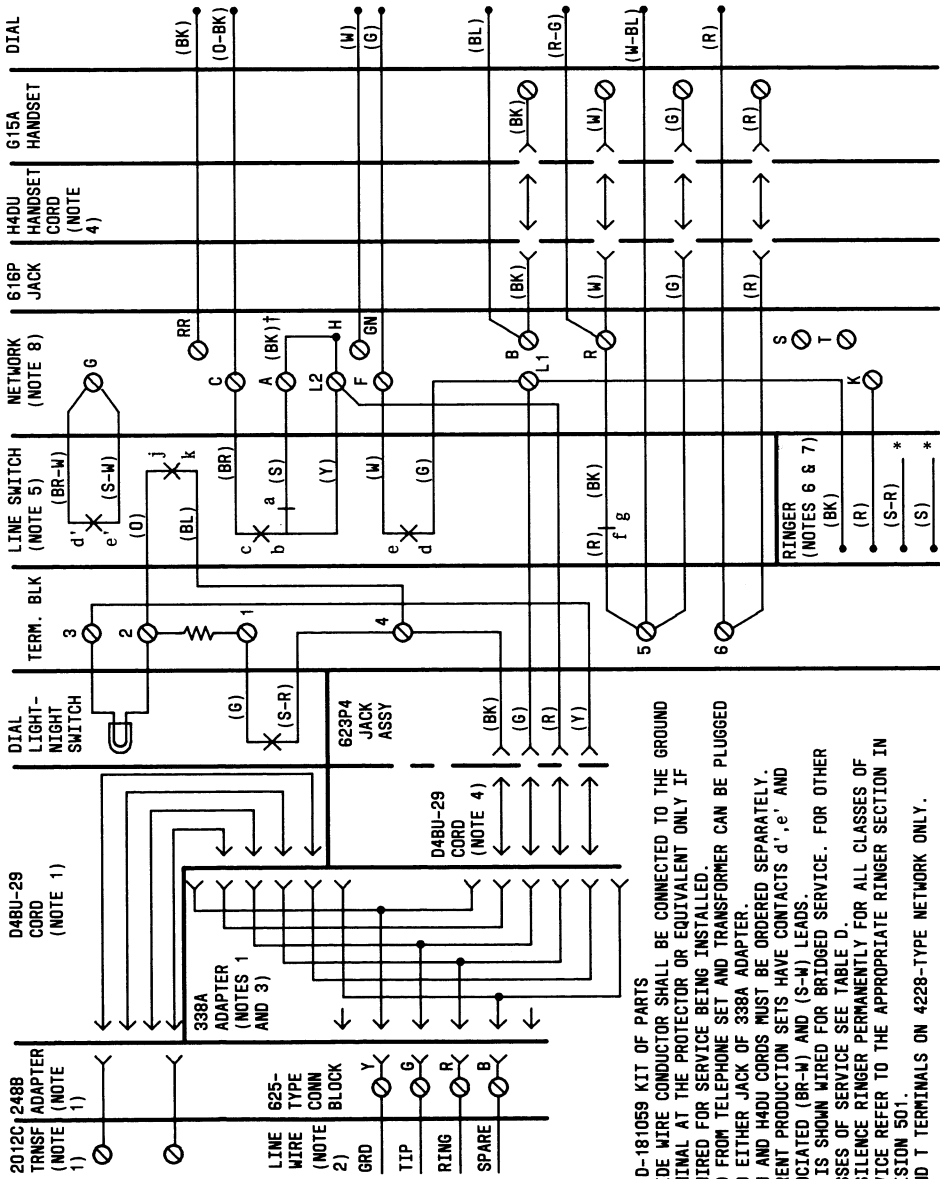
Fig. 2—2702BM Telephone Set, Connections

- NOTES:
- INSIDE WIRE CONDUCTOR SHALL BE CONNECTED TO THE GROUND TERMINAL AT THE PROTECTOR OR EQUIVALENT ONLY IF REQUIRED FOR SERVICE BEING INSTALLED.
 - CURRENT PRODUCTION SETS HAVE CONTACTS d'-e' AND ASSOCIATED (BR-W) AND (S-H) LEADS.
 - SET WIRED FOR BRIDGED RINGING. FOR OTHER CLASSES OF SERVICE SEE TABLE D.
 - TO SILENCE RINGER PERMANENTLY FOR ALL CLASSES OF SERVICE REFER TO THE APPROPRIATE RINGER SECTION IN DIVISION 501.
 - S AND T TERMINALS ON 4228-TYPE NET. ONLY.
- * INSULATED AND STORED
† THIS LEAD GOES DIRECTLY TO L2 ON 4228C NET.
‡ MTC AND HANDSET CORDS MUST BE ORDERED SEPARATELY



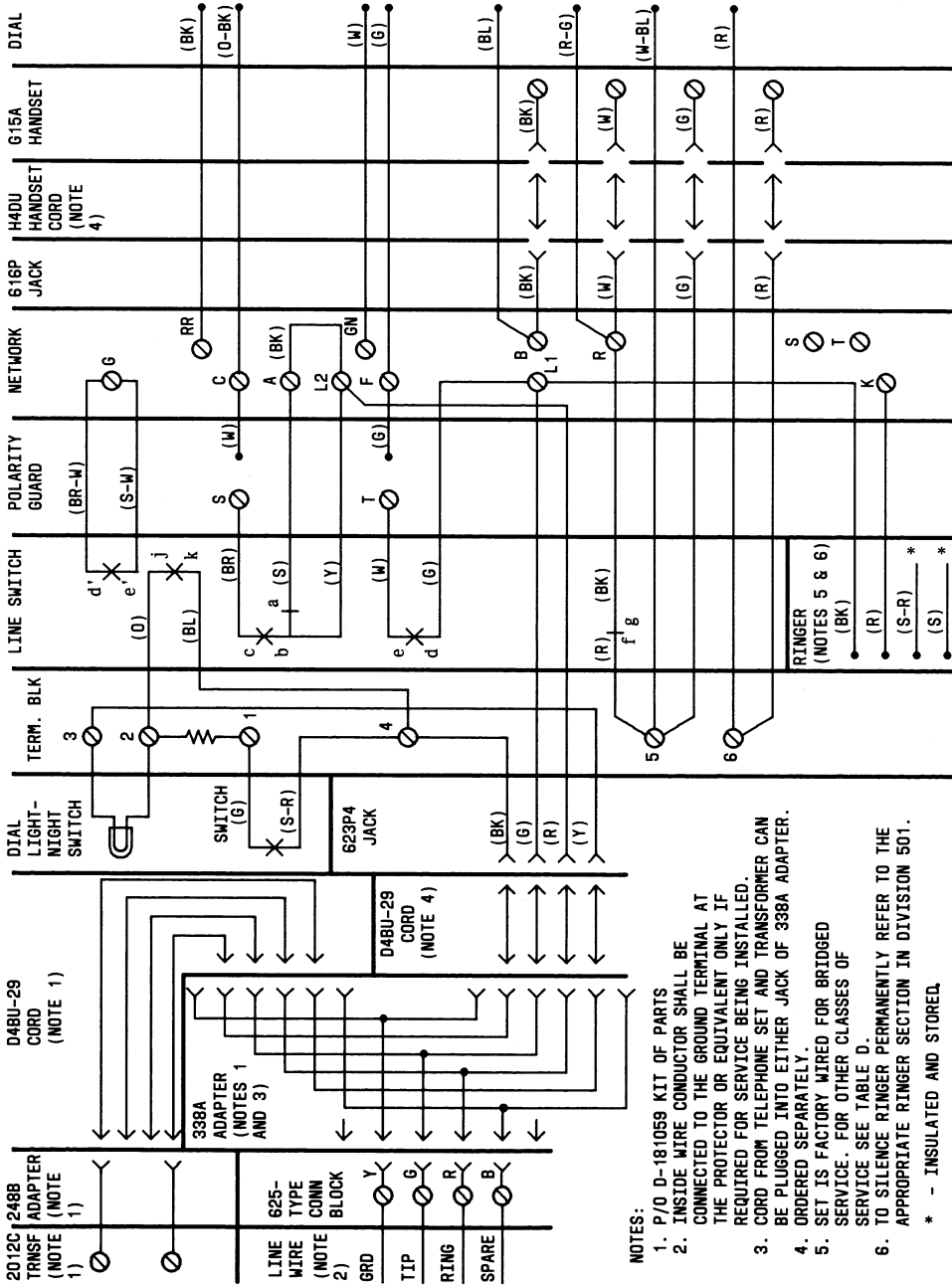
- NOTES:
- INSIDE WIRE CONDUCTOR SHALL BE CONNECTED TO THE GROUND TERMINAL AT THE PROTECTOR OR EQUIVALENT ONLY IF REQUIRED FOR SERVICE BEING INSTALLED.
 - SET WIRED FOR BRIDGED RINGING. FOR OTHER CLASSES OF SERVICE SEE TABLE D.
 - TO SILENCE RINGER PERMANENTLY FOR ALL CLASSES OF SERVICE REFER TO THE APPROPRIATE RINGER SECTION IN DIVISION 501.
- * INSULATED AND STORED
 † MTG AND HANDSET CORDS MUST BE ORDERED SEPARATELY

Fig. 3—2702BMG Telephone Set, Connections†



- NOTES:**
1. P/O D-181059 KIT OF PARTS
 2. INSIDE WIRE CONDUCTOR SHALL BE CONNECTED TO THE GROUND TERMINAL AT THE PROTECTOR OR EQUIVALENT ONLY IF REQUIRED FOR SERVICE BEING INSTALLED.
 3. CORD FROM TELEPHONE SET AND TRANSFORMER CAN BE PLUGGED INTO EITHER JACK OF 338A ADAPTER.
 4. D4BU AND H4DU CORDS MUST BE ORDERED SEPARATELY.
 5. CURRENT PRODUCTION SETS HAVE CONTACTS 'd', 'e' AND ASSOCIATED (BR-W) AND (S-W) LEADS.
 6. SET IS SHOWN WIRED FOR BRIDGED SERVICE. FOR OTHER CLASSES OF SERVICE SEE TABLE D.
 7. TO SILENCE RINGER PERMANENTLY FOR ALL CLASSES OF SERVICE REFER TO THE APPROPRIATE RINGER SECTION IN DIVISION 501.
 8. S AND T TERMINALS ON 4228-TYPE NETWORK ONLY.
- * INSULATED AND STORED
 † THIS LEAD GOES DIRECTLY TO L2 ON 42286 NET.

Fig. 4—#27028M Telephone Set, Connections Using D-181059 Kit of Parts



NOTES:

1. P/O D-181059 KIT OF PARTS
2. INSIDE WIRE CONDUCTOR SHALL BE CONNECTED TO THE GROUND TERMINAL AT THE PROTECTOR OR EQUIVALENT ONLY IF REQUIRED FOR SERVICE BEING INSTALLED.
3. CORD FROM TELEPHONE SET AND TRANSFORMER CAN BE PLUGGED INTO EITHER JACK OF 338A ADAPTER.
4. ORDERED SEPARATELY.
5. SET IS FACTORY WIRED FOR BRIDGED SERVICE. FOR OTHER CLASSES OF SERVICE SEE TABLE D.
6. TO SILENCE RINGER PERMANENTLY REFER TO THE APPROPRIATE RINGER SECTION IN DIVISION 501.

* - INSULATED AND STORED.

Fig. 5—2702BMG Telephone Set, Connections Using D-181059 Kit of Parts

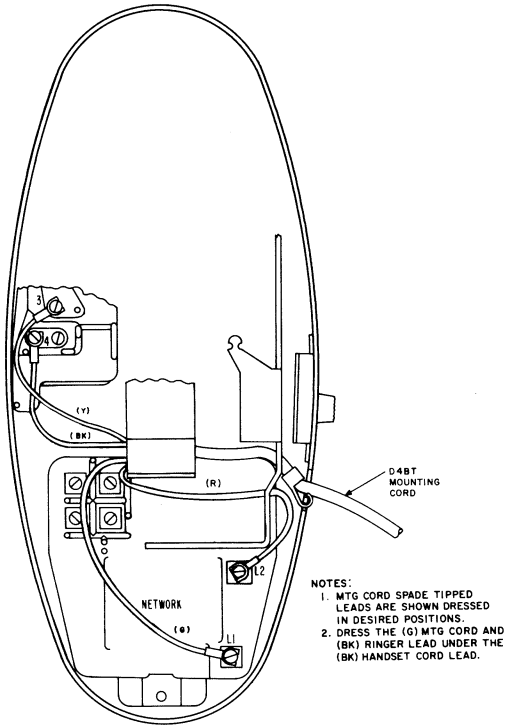


Fig. 6—Method of Terminating D4BT Mounting Cord on Sets with 4010-Type Network (See Notes 1 and 2)

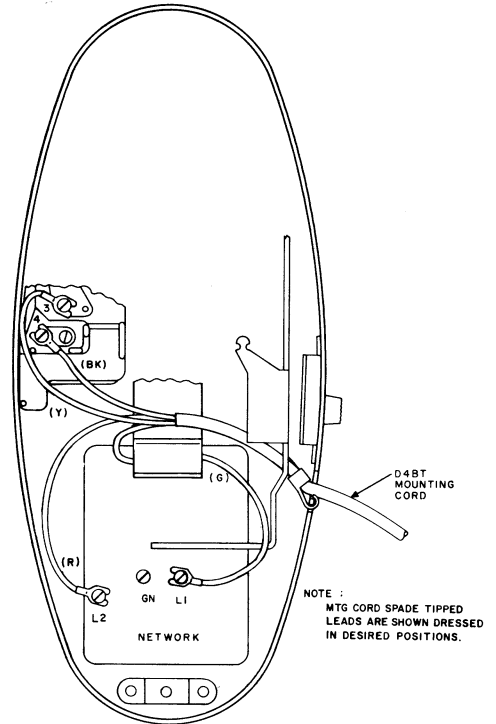


Fig. 7—Method of Terminating D4BT Mounting Cord on Sets with 4228-Type Network (See Note)

♦ TABLE A ♦

POLARITY GUARD CONNECTIONS (Note)

TEL SET NET.	POLARITY GUARD	WIRE OR LEAD	COLOR	REMOVE FROM NET.	CONNECT TO	
					NET.	POLARITY GUARD
4010-Type	D-181063 Kit of Parts	Line Switch	W	F		T
			BR	C		S
		Polarity Guard	G		F	
			W		C	
	D-180229 Kit of Parts	Dial	BK	RR		3*
		Line Switch	BR	C		4*
		Polarity Guard	R			3*
			BK			4*
			G		RR	
			W		C	
4228-Type	D-180896 Kit of Parts	Line Switch	W	F		T
			BR	C		S
		Polarity Guard	G		F	
			W		C	

Note: For use when specified by local instructions for end-to-end signaling installations.

* Terminals 3 and 4 are on terminal board which is part of D-180229 Kit of Parts.

TABLE B

LINE AND RINGER CONNECTIONS
2702B (MD) TELEPHONE SET WITH D5AK (MD) MOUNTING CORD

WIRE OR LEAD		INDIVIDUAL OR BRIDGED ‡	RING PARTY ‡	TIP PARTY		
				NO IDENT GRD	IDENTIFYING GROUND	
					1000 OHMS	2650 OHMS
Inside Wire at Conn Block	Ring	R	R	R	R	R
	Tip	G	G	G	G	G
	Grd	Y	Y	Y	Y	Y
Dial Light Transformer	1	Y	Y	Y	Y	Y
	2	B	B	B	B	B
D5AK Mtg Cord at Conn Block	(R)	R	R	G	G	G
	(G)	G	G	R	R	R
	(Y)	G	Y	Y	Y	Y
	(BK)	B	B	B	B	B
	(W)	Y	Y	Y	Y	Y
D5AK Mtg Cord at Set Terminals (Note 2)	(R)	L2	L2	L2	L2	L2
	(G)	L1	L1	L1	C	C
	(Y)	G	G	G	G	G
	(BK)	4†	4†	4†	4†	4†
	(W)	3†	3†	3†	3†	3†
Ringer Leads (Note 1)	(R)	K	K	K	K	K
	(BK)	G	G	G	G	G
	(S)	*	*	*	L1	*
	(S-R)	*	*	*	*	L1
Line Switch (Note 3)	(BR)	C	C	F	F	F
	(W) [S-W]	F	F	C	B	B
Strap From H	(BK) [S-BK]	A	A	A	*	*

Note 1: To silence ringer permanently for all classes of service, refer to the appropriate section in Division 501.

Note 2: When connecting the D5AK mounting cord leads for tip party identifying ground, use D-161488 connectors and M1W straps as required to extend conductor leads.

Note 3: This change does not apply to sets equipped with a polarity guard.

* Insulated and stored.

† Terminals on lamp terminal block.

‡ Factory-wired for bridged or ring party.

() Current color code.

[] MD color code.

TABLE C

**LINE AND RINGER CONNECTIONS
2702B (MD) TELEPHONE SET WITH D4BT MOUNTING CORD**

WIRE OR LEAD		INDIVIDUAL OR BRIDGED	RING PARTY	TIP PARTY		
				NO IDENT GRD	IDENTIFYING GROUND	
					1000 OHMS	2650 OHMS
Inside Wire at Conn Block	Ring	R	R	R	R	R
	Tip	G	G	G	G	G
	Grd	Y	Y	Y	Y	Y
Dial Light Transformer	1	Y	Y	Y	Y	Y
	2	B	B	B	B	B
D4BT Mtg Cord at Conn Block	(R)	R	R	G	G	G
	(G)	G	G	R	R	R
	(Y)	Y	Y	Y	Y	Y
	(BK)	B	B	B	B	B
D4BT Mtg Cord at Set Terminals	(R)	L2	L2	L2	L2	L2
	(G)	L1	L1	L1	C	C
	(Y)	3†	3†	3†	3†	3†
	(BK)	4†	4†	4†	4†	4†
Ringer Leads (Note 1)	(R)	K	K	K	K	K
	(BK)	L1	3†	3†	3†	3†
	(S)	*	*	*	L1	*
	(S-R)	*	*	*	*	L1
Line Switch (Note 2)	(BR)	C	C	F	F	F
	(W) [S-W]	F	F	C	B	B
Strap From H	(BK) [S-BK]	A	A	A	*	*

Note 1: To silence ringer permanently for all classes of service, refer to the appropriate section in Division 501.

Note 2: This change does not apply to sets equipped with a polarity guard.

* Insulated and stored.

† Terminals on lamp terminal block.

() Current color code.

[] MD color code.

TABLE D

2702BM AND 2702BMG TELEPHONE SET LINE AND RINGER CONNECTIONS WITH D4BU MOUNTING CORD

WIRE OR LEAD		COLOR	INDIVIDUAL OR BRIDGED (NOTE 3)	RING PARTY	TIP PARTY		
					NO IDENT GRD.	IDENTIFYING GROUND (NOTE 4)	
						1000 OHMS	2650 OHMS
Line Wire at Conn Block	Ring	R	R	R	R	R	
	Tip	G	G	G	G	G	
	GRD	Y	Y	Y	Y	Y	
Dial Light Transformer	1	Y	Y	Y	Y	Y	
	2	BK	B	B	B	B	
623P4 Jack Assembly in Set (Note 2)		R	L2	L2	L1	C	C
		G	L1	L1	L2	L2	L2
		Y	3	3	3	3	3
		BK	4	4	4	4	4
Ringer Lead (Note 1)		BK	L1	3	3	3	3
		R	K	K	K	K	K
		S	*	*	*	L1	*
		S-R	*	*	*	*	L1
Line Switch at Net. (Note 5)		W	F	F	C	B	B
		BR	C	C	F	F	F
Strap of Net.		BK	A	A	A	*	*

Note 1: To silence ringer permanently for all classes of service, refer to the appropriate section in Division 501.

Note 2: When connecting the 623P4 jack assembly leads for tip party identifying ground, use D-161488 connectors and M1W straps as required to extend conductor leads.

Note 3: Sets are factory-wired for bridged service.

Note 4: For tip party service with identifying ground, remove insulate and store (BK) strap between network terminals A and H.

Note 5: This change does not apply to sets equipped with a polarity guard.

* Insulated and stored.